

# BALUSTRADES

BALUSTERS B-01 - B-07

NEWEL POSTS NP-01 - NP-12

BALUSTRADE RAILS R-01 - R-04

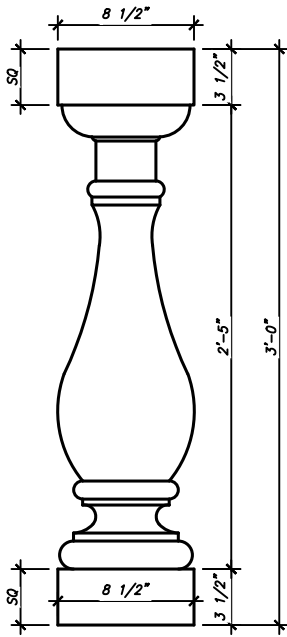
BALUSTRADE ASSEMBLIES BA-01 - BA-02



## ARCHITECTURAL FIBERGLASS, INC.

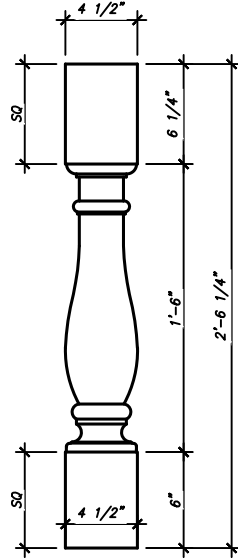
8300 Bessemer Ave. \* Cleveland, OH 44127-1839 \* 216-641-8300 \* Fax 216-641-8150 \* [www.fiberglass-afi.com](http://www.fiberglass-afi.com)

NOTE: ALL BALUSTERS CAN BE HEIGHT ADJUSTED  $\pm 3"$  BASED ON THE NEEDS OF THE PROJECT



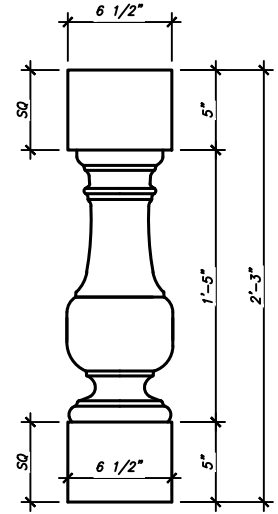
**BS-110**

USE WITH RAIL:  
RT-130, RT-140,  
or RT-150.



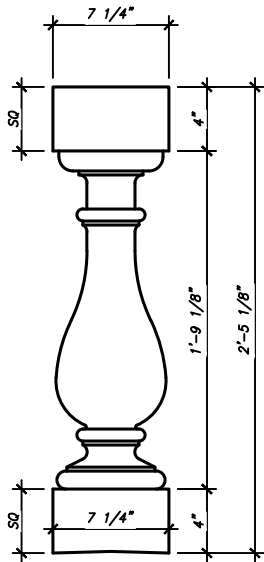
**BS-120**

USE WITH RAIL:  
RT-110, RT-120,  
RT-160, RT-170,  
RT-180, RT-190,  
or RT-200.



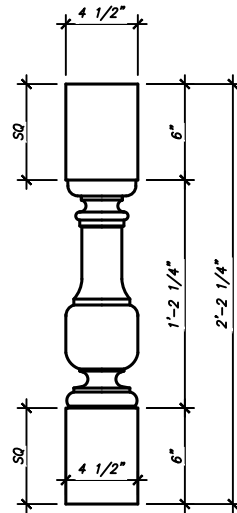
**BS-130**

USE WITH RAIL:  
RT-130, RT-140,  
RT-150, RT-170,  
or RT-190.



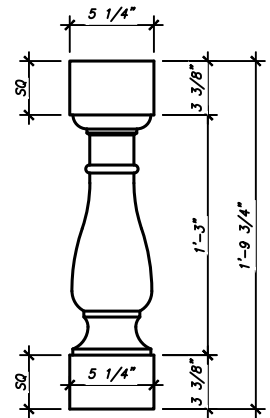
**BS-140**

USE WITH RAIL:  
RT-130, RT-140,  
RT-150, or RT-190.



**BS-150**

USE WITH RAIL:  
RT-110, RT-120,  
RT-160, RT-170,  
RT-180, RT-190,  
or RT-200.



**BS-160**

USE WITH RAIL:  
RT-110, RT-120,  
RT-150, RT-170,  
RT-180, or RT-190.

BALUSTRADES

BALUSTERS

SHEET NO.

**B-01**

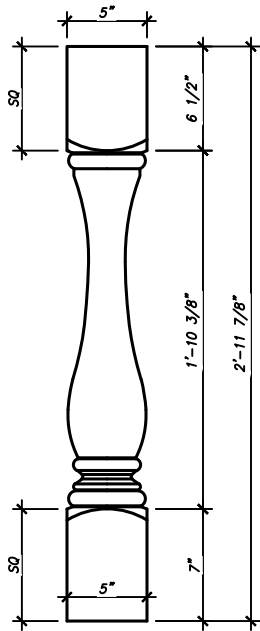
2025



**ARCHITECTURAL FIBERGLASS, INC.**

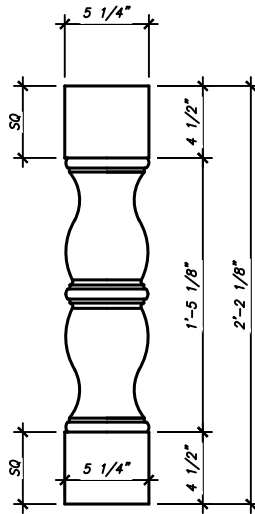
8300 BESSEMER AVE., CLEVELAND, OHIO 44127-1839  
(216) 641-8300 - FAX:(216) 641-8150  
www.fiberglass-afi.com

NOTE: ALL BALUSTERS CAN BE HEIGHT ADJUSTED  $\pm 3"$  BASED ON THE NEEDS OF THE PROJECT



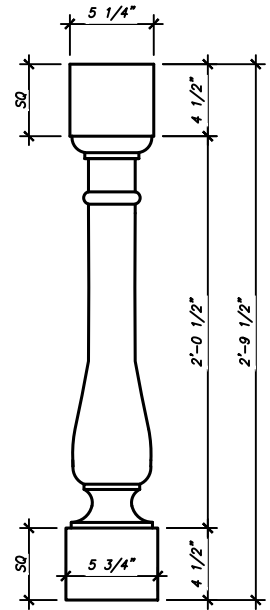
**BS-170**

USE WITH RAIL:  
RT-110, RT-120,  
RT-150, RT-170,  
RT-180, RT-190,  
or RT-200.



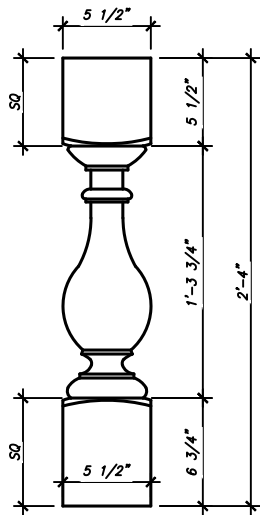
**BS-180**

USE WITH RAIL:  
RT-110, RT-120,  
RT-150, RT-170,  
RT-180, or RT-190.



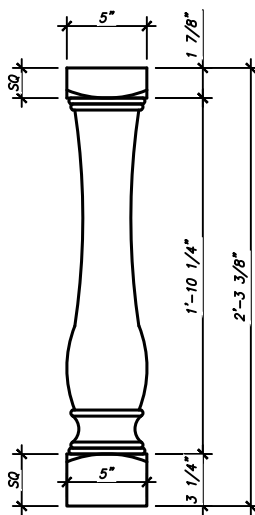
**BS-190**

USE WITH RAIL:  
RT-110, RT-120,  
RT-150, RT-170,  
RT-180, or RT-190.



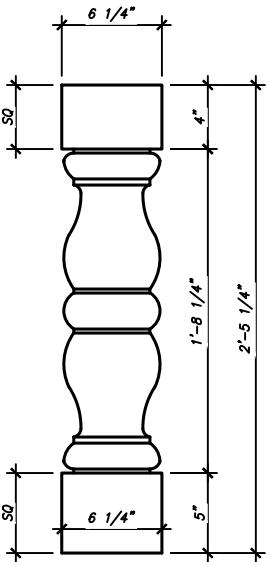
**BS-200**

USE WITH RAIL:  
RT-110, RT-120,  
RT-150, RT-170,  
RT-180, or RT-190.



**BS-210**

USE WITH RAIL:  
RT-110, RT-120,  
RT-150, RT-170,  
RT-180, RT-190,  
or RT-200.



**BS-220**

USE WITH RAIL:  
RT-130, RT-140,  
RT-150, RT-170,  
or RT-190.

BALUSTRADES

BALUSTERS

SHEET NO.

**B-02**

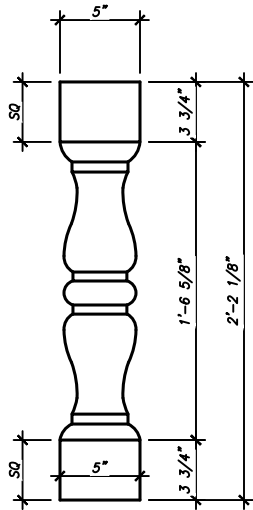
2025



**ARCHITECTURAL FIBERGLASS, INC.**

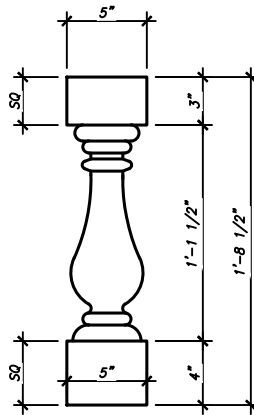
8300 BESSEMER AVE., CLEVELAND, OHIO 44127-1839  
(216) 641-8300 - FAX:(216) 641-8150  
www.fiberglass-afi.com

NOTE: ALL BALUSTERS CAN BE HEIGHT ADJUSTED  $\pm 3"$  BASED ON THE NEEDS OF THE PROJECT



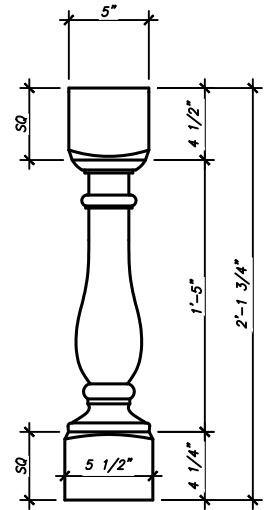
**BS-230**

USE WITH RAIL:  
RT-110, RT-120,  
RT-150, RT-170,  
RT-180, RT-190,  
or RT-200.



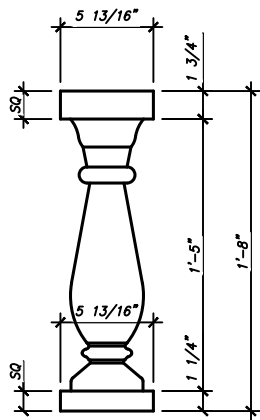
**BS-240**

USE WITH RAIL:  
RT-110, RT-120,  
RT-150, RT-170,  
RT-180, RT-190,  
or RT-200.



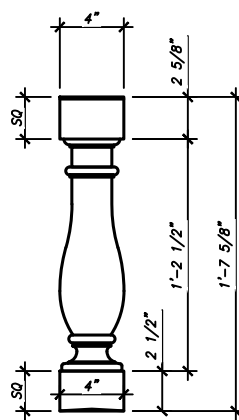
**BS-250**

USE WITH RAIL:  
RT-110, RT-120,  
RT-150, RT-170,  
RT-180, RT-190,  
or RT-200.



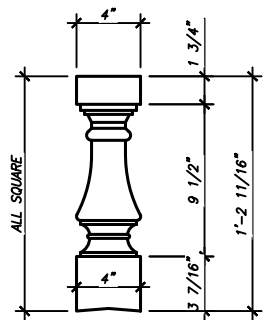
**BS-260**

USE WITH RAIL:  
RT-110, RT-120,  
RT-130, RT-140,  
RT-150, RT-170,  
or RT-190.



**BS-270**

USE WITH RAIL:  
RT-110, RT-120,  
RT-160, RT-180,  
or RT-200.



**BS-280**

BALUSTER IS SQUARE  
USE WITH RAIL:  
RT-110, RT-120,  
RT-160, RT-180,  
or RT-200.

BALUSTRADES

BALUSTERS

SHEET NO.

**B-03**

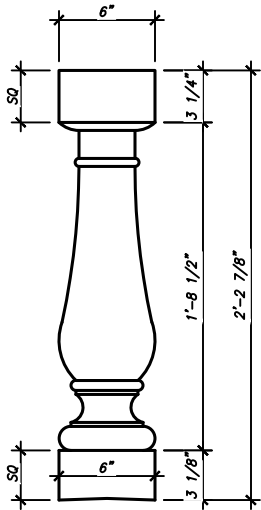
2025



**ARCHITECTURAL FIBERGLASS, INC.**

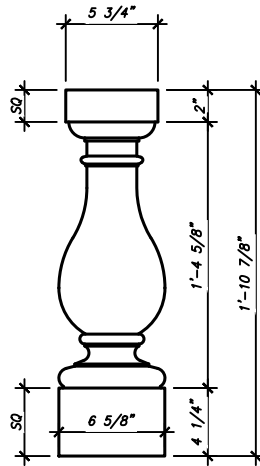
8300 BESSEMER AVE., CLEVELAND, OHIO 44127-1839  
(216) 641-8300 - FAX:(216) 641-8150  
www.fiberglass-afi.com

NOTE: ALL BALUSTERS CAN BE HEIGHT ADJUSTED  $\pm 3"$  BASED ON THE NEEDS OF THE PROJECT



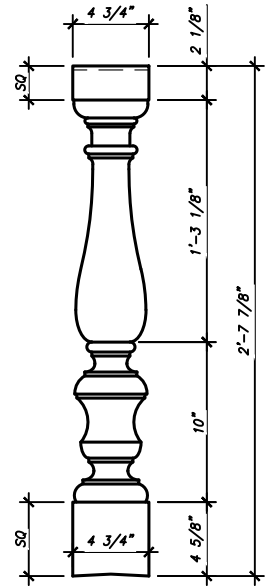
**BS-290**

USE WITH RAIL:  
RT-120, RT-130,  
RT-140, RT-150,  
RT-170, RT-190,  
RT-210.



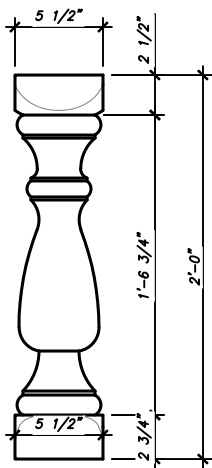
**BS-300**

USE WITH RAIL:  
RT-130, RT-140,  
RT-150, RT-170,  
or RT-190.



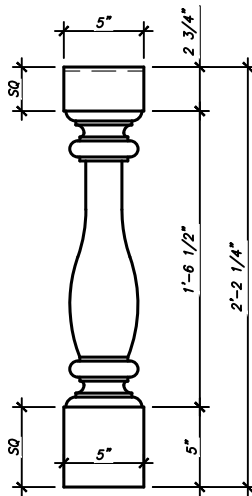
**BS-310**

USE WITH RAIL:  
RT-110, RT-120,  
RT-150, or RT-170.



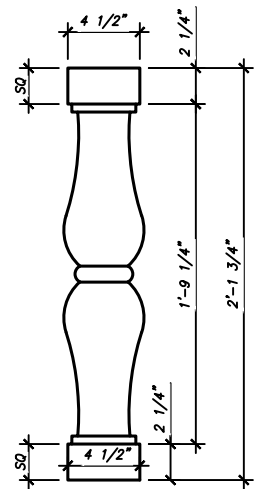
**BS-320**

USE WITH RAIL:  
RT-120, RT-150,  
or RT-190.



**BS-330**

USE WITH RAIL:  
RT-220, RT-150,  
or RT-190.



**BS-340**

USE WITH RAIL:  
RT-230, RT-150,  
or RT-190.

BALUSTRADES

BALUSTERS

SHEET NO.

**B-04**

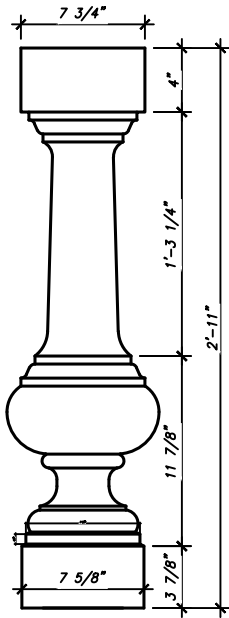
2025



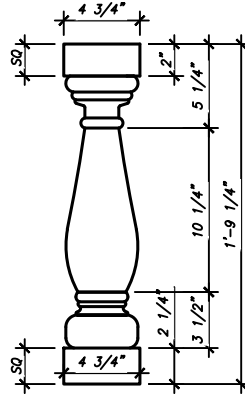
**ARCHITECTURAL FIBERGLASS, INC.**

8300 BESSEMER AVE., CLEVELAND, OHIO 44127-1839  
(216) 641-8300 - FAX:(216) 641-8150  
www.fiberglass-afi.com

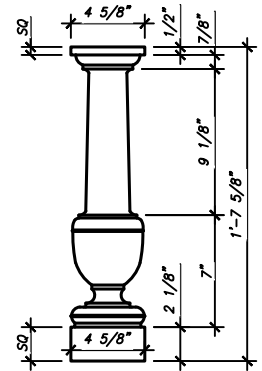
NOTE: ALL BALUSTERS CAN BE HEIGHT ADJUSTED  $\pm 3"$  BASED ON THE NEEDS OF THE PROJECT



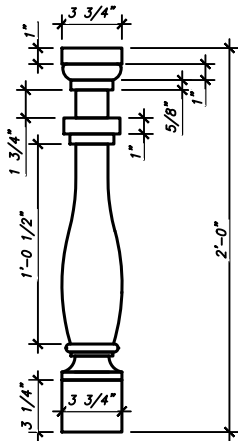
**BS-350**  
USE WITH RAIL:  
RT-240



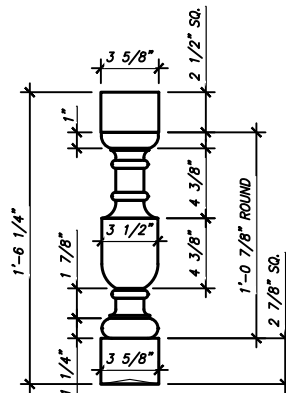
**BS-360**  
USE WITH RAIL:  
RT-240



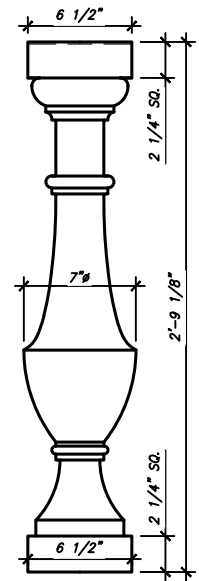
**BS-370**  
USE WITH RAIL:  
RT-250



**BS-380**  
USE WITH RAIL:  
RT-310



**BS-390**  
USE WITH RAIL:  
RT-270



**BS-400**  
USE WITH RAIL:  
RT-260

BALUSTRADES

BALUSTERS

SHEET NO.

**B-05**

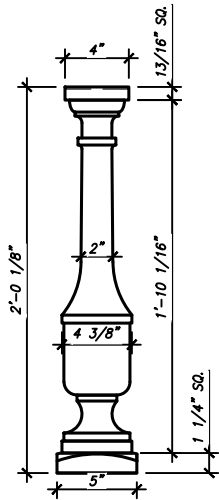
2025



**ARCHITECTURAL FIBERGLASS, INC.**

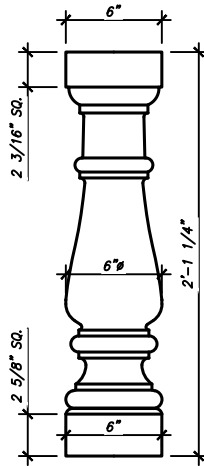
8300 BESSEMER AVE., CLEVELAND, OHIO 44127-1839  
(216) 641-8300 - FAX:(216) 641-8150  
www.fiberglass-afi.com

NOTE: ALL BALUSTERS CAN BE HEIGHT ADJUSTED  $\pm 3"$  BASED ON THE NEEDS OF THE PROJECT



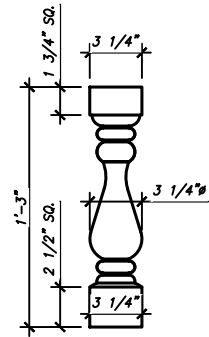
**BS-410**

USE WITH RAIL:  
RT-290



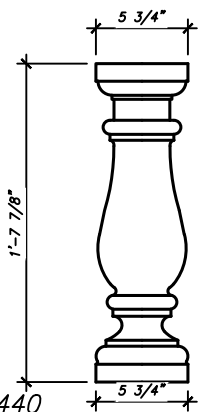
**BS-420**

USE WITH RAIL:



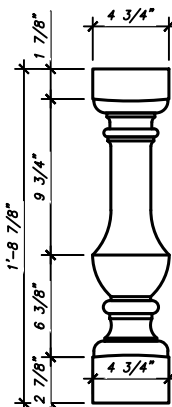
**BS-430**

USE WITH RAIL:  
RT-300



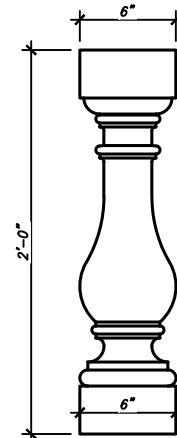
**BS-440**

USE WITH RAIL:  
RT-320



**BS-450**

USE WITH RAIL:



**BS-460**

USE WITH RAIL:  
RT-330

BALUSTRADES

BALUSTERS

SHEET NO.

**B-06**

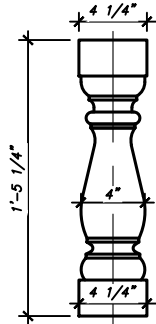
2025



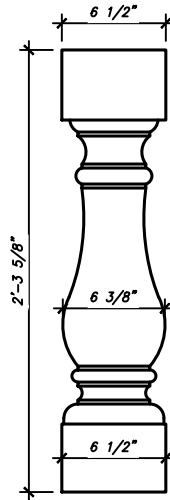
**ARCHITECTURAL FIBERGLASS, INC.**

8300 BESSEMER AVE., CLEVELAND, OHIO 44127-1839  
(216) 641-8300 - FAX:(216) 641-8150  
www.fiberglass-afi.com

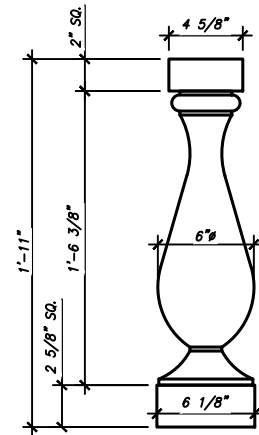
NOTE: ALL BALUSTERS CAN BE HEIGHT ADJUSTED  $\pm 3"$  BASED ON THE NEEDS OF THE PROJECT



BS-470  
USE WITH RAIL:



BS-480  
USE WITH RAIL:  
RT-340



BS-490  
USE WITH RAIL:  
RT-350

BALUSTRADES

SHEET NO.

**B-07**

2025

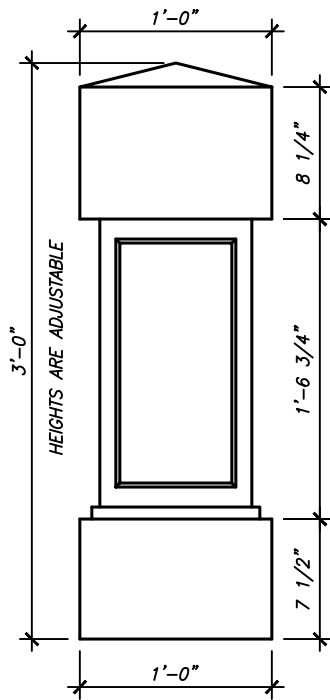
BALUSTERS



**ARCHITECTURAL FIBERGLASS, INC.**

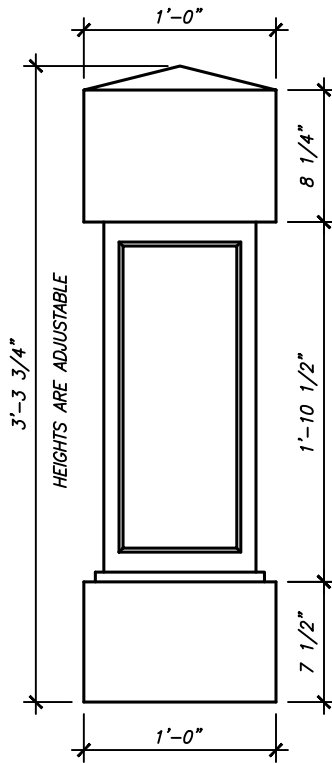
8300 BESSEMER AVE., CLEVELAND, OHIO 44127-1839  
(216) 641-8300 - FAX:(216) 641-8150  
[www.fiberglass-afi.com](http://www.fiberglass-afi.com)





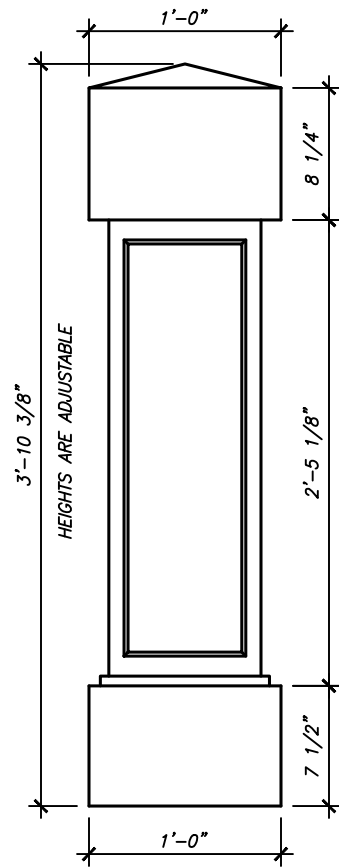
NP-100

USE RT-110, RT-120, RT-130,  
RT-140, RT-150, RT-160,  
RT-170, RT-180, RT-190,  
OR RT-200.



NP-110

USE RT-110, RT-120, RT-130,  
RT-140, RT-150, RT-160,  
RT-170, RT-180, RT-190,  
OR RT-200.



NP-120

USE RT-110, RT-120, RT-130,  
RT-140, RT-150, RT-160,  
RT-170, RT-180, RT-190,  
OR RT-200.

BALUSTRADES

NEWEL POSTS

SHEET NO.

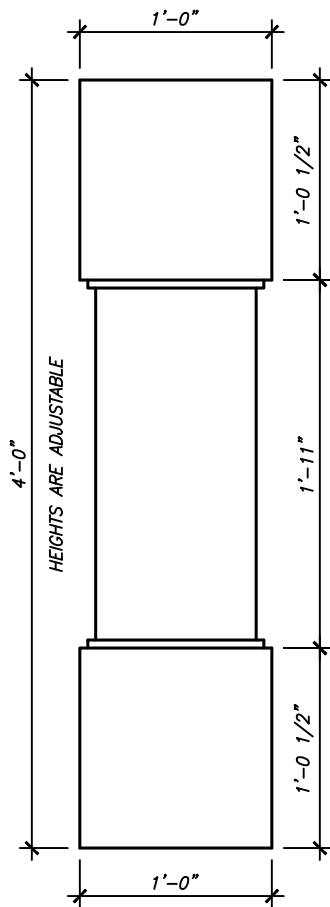
**NP-01**

2025



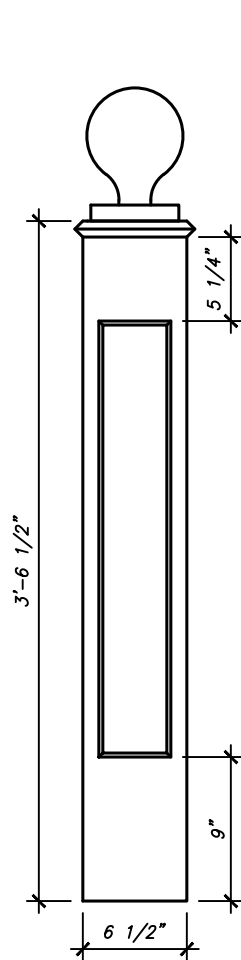
**ARCHITECTURAL FIBERGLASS, INC.**

8300 BESSEMER AVE., CLEVELAND, OHIO 44127-1839  
(216) 641-8300 - FAX:(216) 641-8150  
www.fiberglass-afi.com



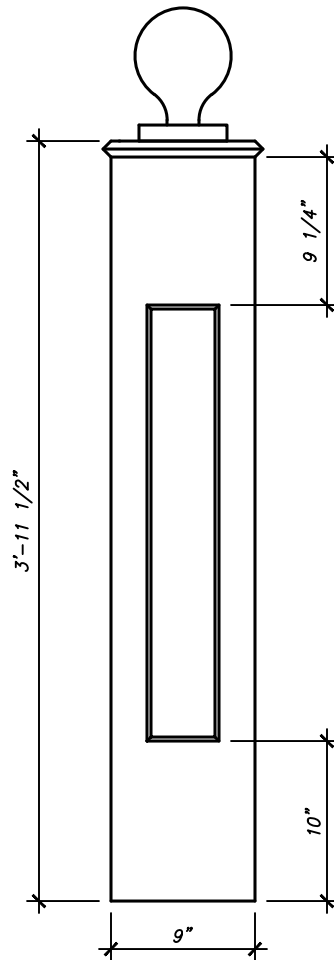
NP-130

USE RT-110, RT-120, RT-130,  
RT-140, RT-150, RT-160,  
RT-170, RT-180, RT-190,  
OR RT-200.



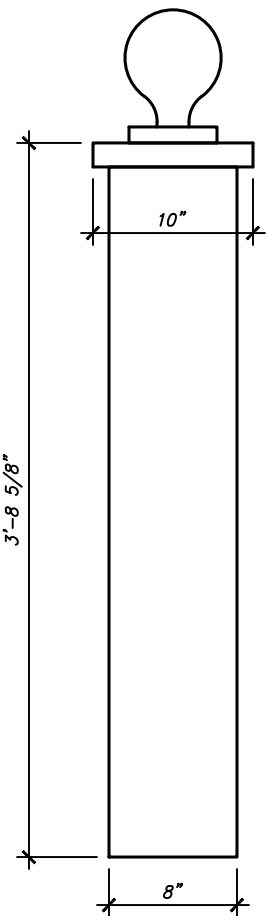
NP-140

USE RT-110  
OR RT-200.



NP-150

USE RT-110, RT-120, RT-160,  
RT-170, RT-180, OR RT-200.



NP-160

USE RT-110, RT-160,  
RT-170, OR RT-200.

NEWEL POSTS MAY BE CAPPED WITH OPTIONAL FINIAL BALL

BALUSTRADES

SHEET NO.

**NP-02**

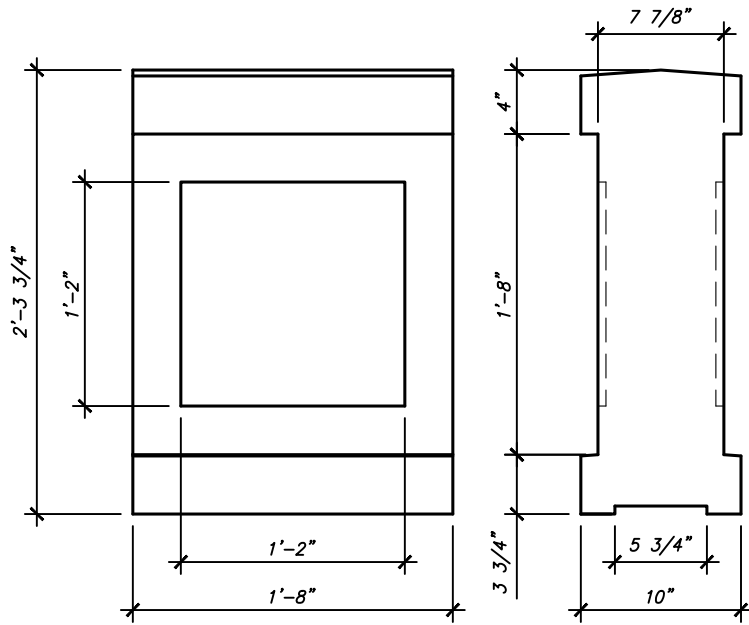
2025

NEWEL POSTS



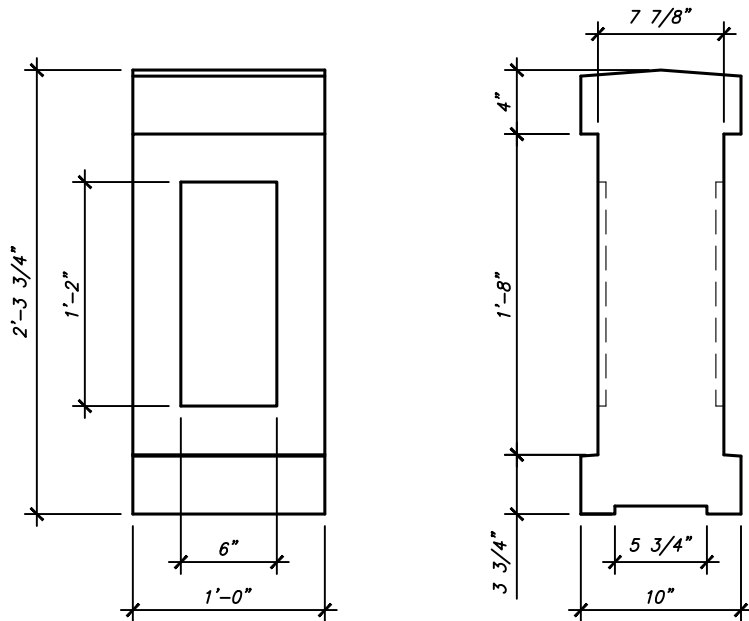
**ARCHITECTURAL FIBERGLASS, INC.**

8300 BESSEMER AVE., CLEVELAND, OHIO 44127-1839  
(216) 641-8300 - FAX:(216) 641-8150  
www.fiberglass-afi.com



NP-170-A

USE RT-150  
ONLY.



NP-170-B

USE RT-150  
ONLY.

BALUSTRADES

NEWEL POSTS

SHEET NO.

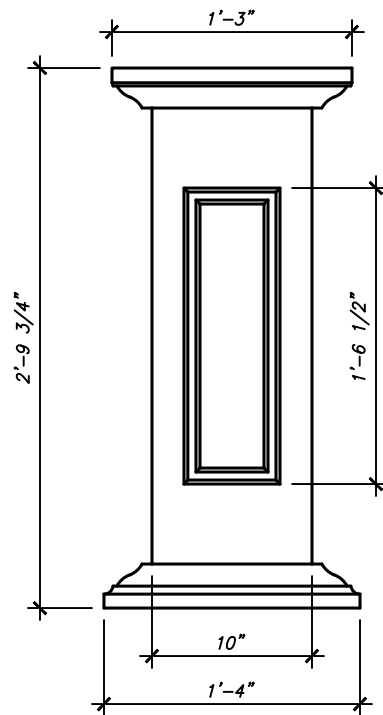
**NP-03**

2025



**ARCHITECTURAL FIBERGLASS, INC.**

8300 BESSEMER AVE., CLEVELAND, OHIO 44127-1839  
(216) 641-8300 - FAX:(216) 641-8150  
www.fiberglass-afi.com



*NP-180*

USE RT-110, RT-120, RT-160,  
RT-170, RT-180, OR RT-200.

BALUSTRADES

NEWEL POSTS

SHEET NO.

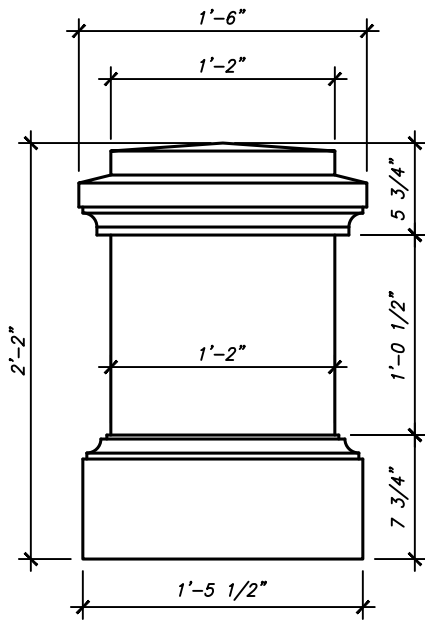
**NP-04**

2025



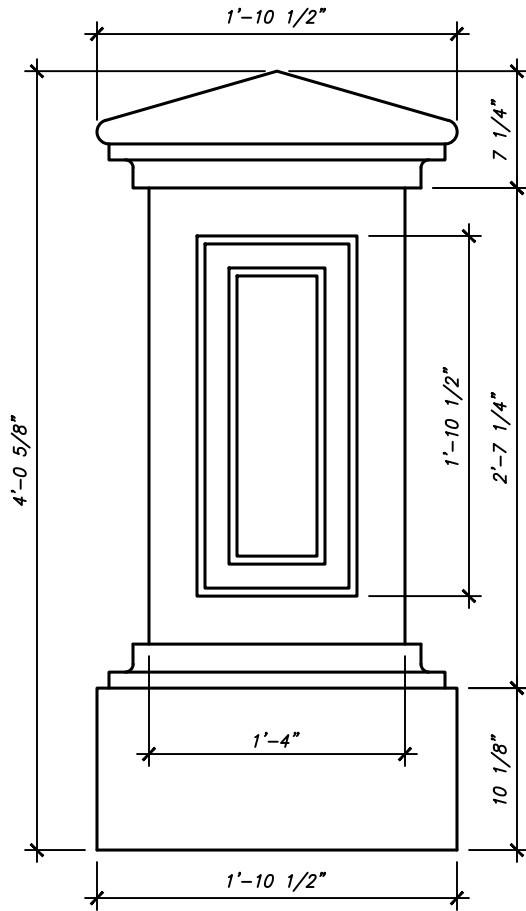
**ARCHITECTURAL FIBERGLASS, INC.**

8300 BESSEMER AVE., CLEVELAND, OHIO 44127-1839  
(216) 641-8300 - FAX:(216) 641-8150  
www.fiberglass-afi.com



NP-190

USE RT-180  
ONLY.



NP-200

USE RT-190  
ONLY.

BALUSTRADES

SHEET NO.

**NP-05**

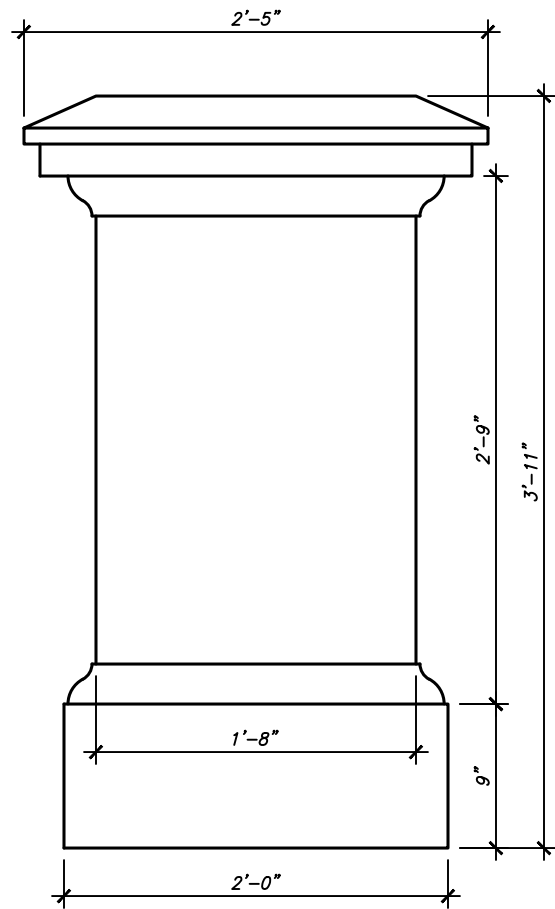
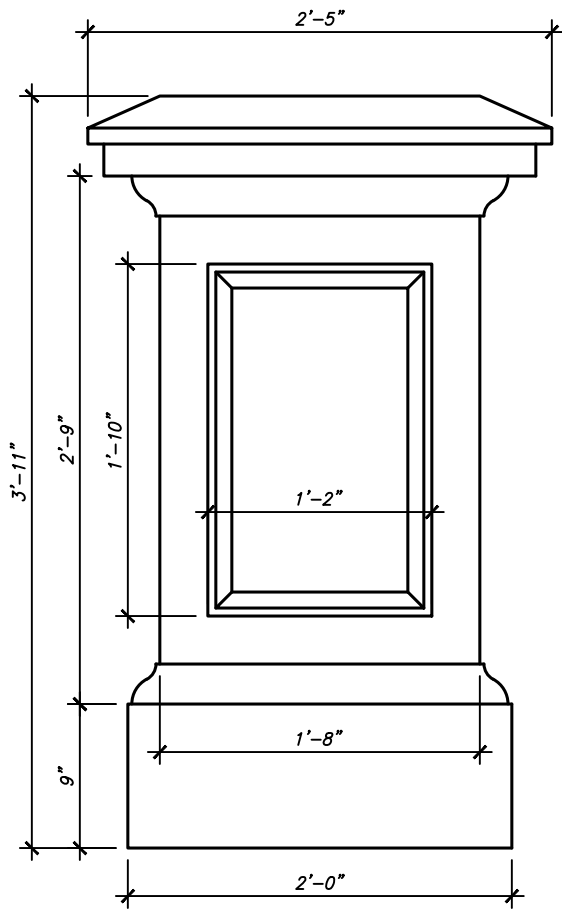
2025

NEWEL POSTS



**ARCHITECTURAL FIBERGLASS, INC.**

8300 BESSEMER AVE., CLEVELAND, OHIO 44127-1839  
(216) 641-8300 - FAX:(216) 641-8150  
www.fiberglass-afi.com



NP-210

BALUSTRADES

NEWEL POSTS

SHEET NO.

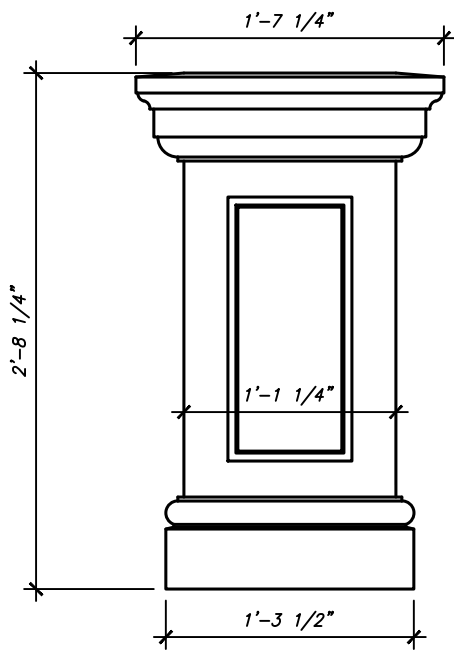
**NP-06**

2025

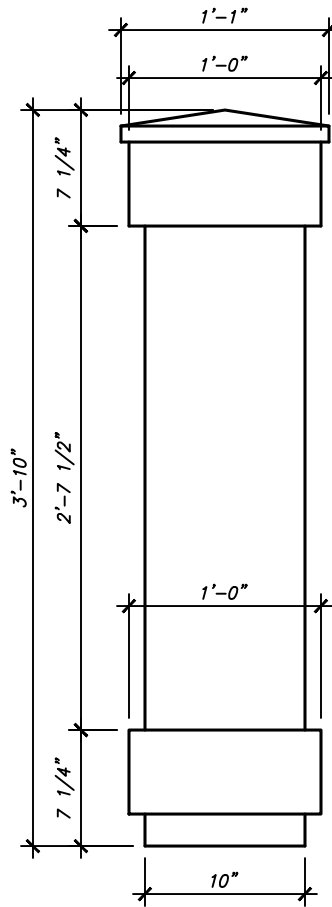


**ARCHITECTURAL FIBERGLASS, INC.**

8300 BESSEMER AVE., CLEVELAND, OHIO 44127-1839  
 (216) 641-8300 - FAX:(216) 641-8150  
[www.fiberglass-afi.com](http://www.fiberglass-afi.com)



NP-260



NP-220

BALUSTRADES

SHEET NO.

**NP-07**

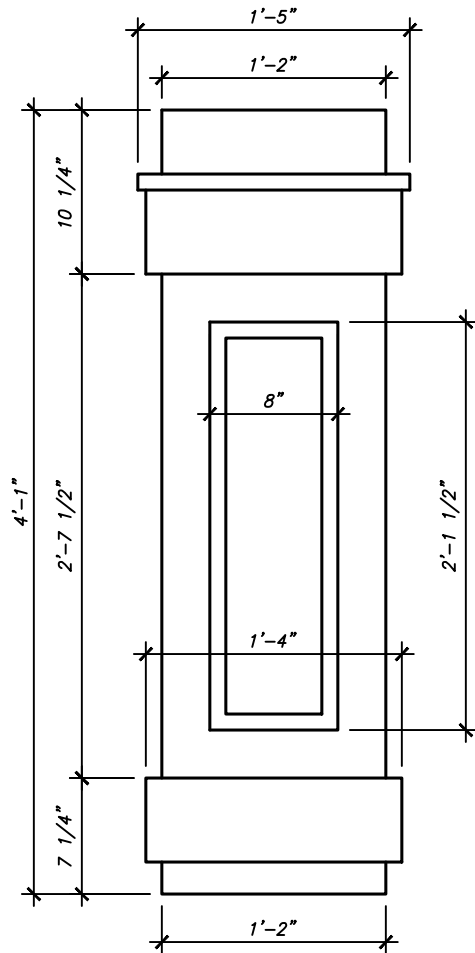
2025

NEWEL POSTS

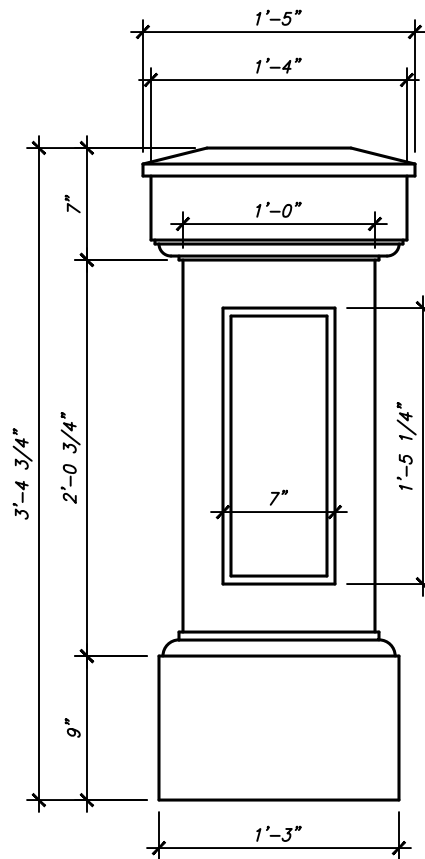


**ARCHITECTURAL FIBERGLASS, INC.**

8300 BESSEMER AVE., CLEVELAND, OHIO 44127-1839  
 (216) 641-8300 - FAX:(216) 641-8150  
 www.fiberglass-afi.com



NP-230



NP-240

BALUSTRADES

NEWEL POSTS

SHEET NO.

**NP-08**

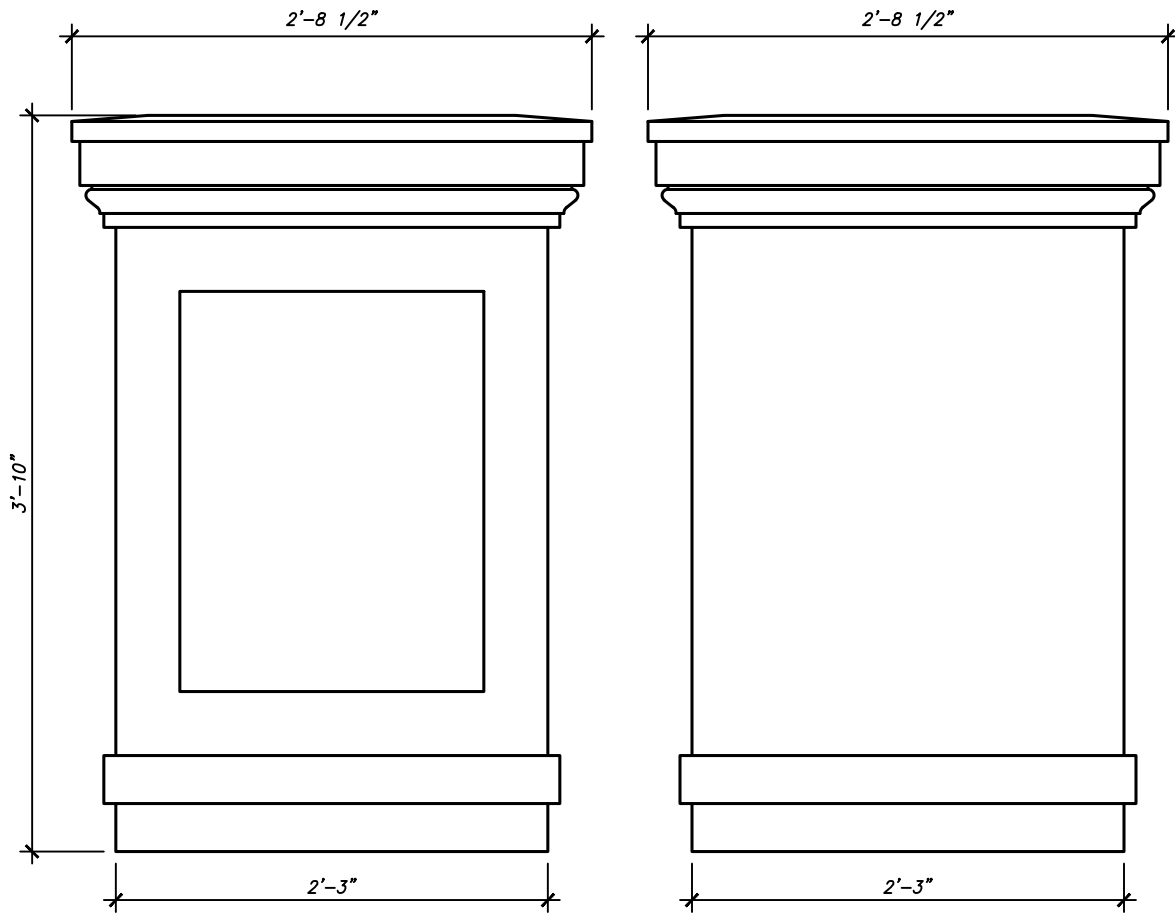
2025



**ARCHITECTURAL FIBERGLASS, INC.**

8300 BESSEMER AVE., CLEVELAND, OHIO 44127-1839  
 (216) 641-8300 - FAX:(216) 641-8150  
 www.fiberglass-afi.com





*NP-250*

BALUSTRADES

NEWEL POSTS

SHEET NO.

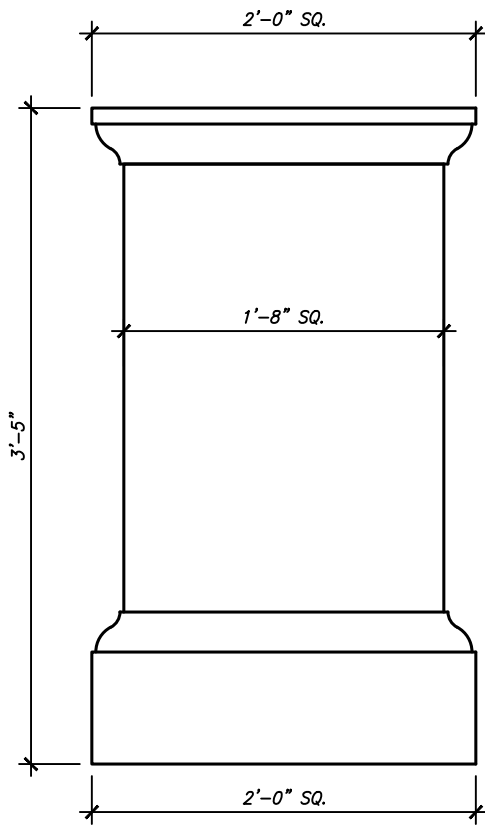
**NP-09**

2025

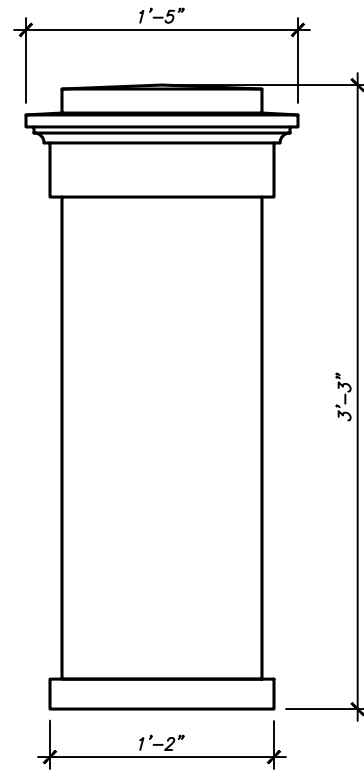


**ARCHITECTURAL FIBERGLASS, INC.**

8300 BESSEMER AVE., CLEVELAND, OHIO 44127-1839  
 (216) 641-8300 - FAX:(216) 641-8150  
[www.fiberglass-afi.com](http://www.fiberglass-afi.com)



NP-270



NP-280

BALUSTRADES

NEWEL POSTS

SHEET NO.

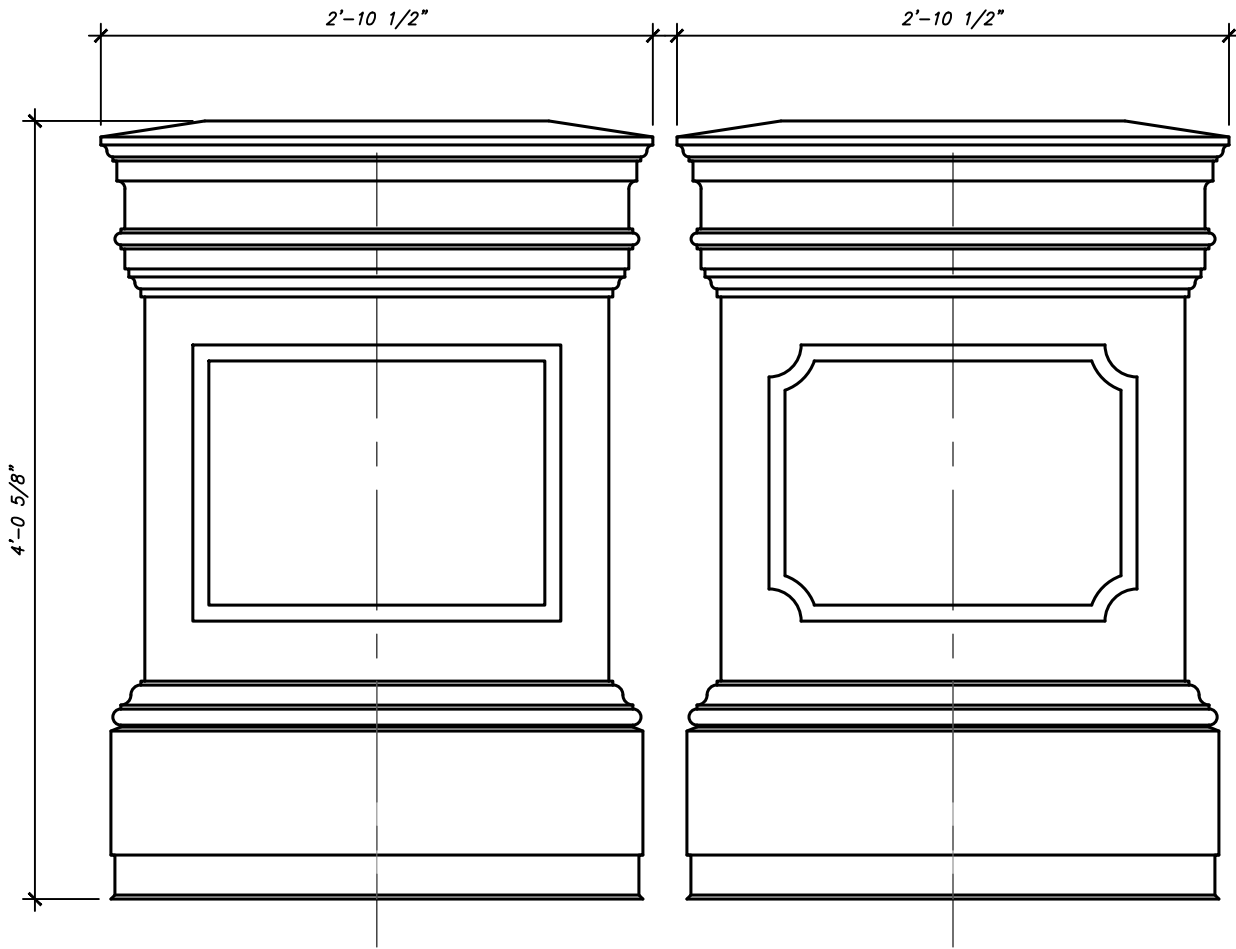
**NP-10**

2025



**ARCHITECTURAL FIBERGLASS, INC.**

8300 BESSEMER AVE., CLEVELAND, OHIO 44127-1839  
 (216) 641-8300 - FAX:(216) 641-8150  
 www.fiberglass-afi.com



NP-290

NP-291

BALUSTRADES

NEWEL POSTS

SHEET NO.

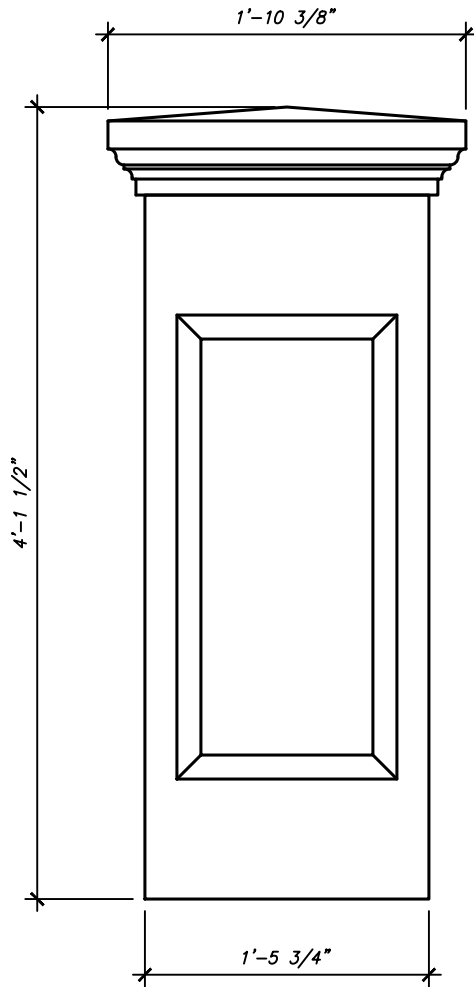
**NP-11**

2025

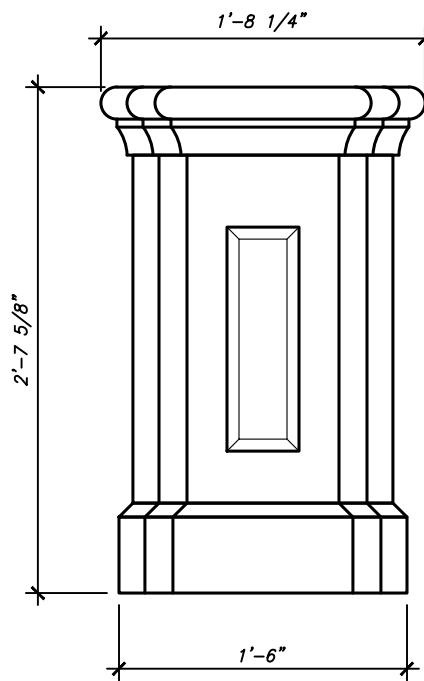


**ARCHITECTURAL FIBERGLASS, INC.**

8300 BESSEMER AVE., CLEVELAND, OHIO 44127-1839  
 (216) 641-8300 - FAX:(216) 641-8150  
[www.fiberglass-afi.com](http://www.fiberglass-afi.com)



NP-300



NP-310

BALUSTRADES

NEWEL POSTS

SHEET NO.

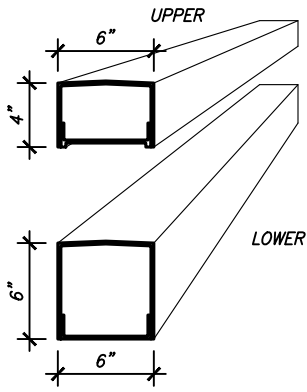
**NP-12**

2025

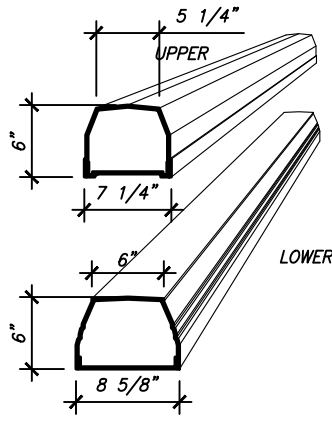


**ARCHITECTURAL FIBERGLASS, INC.**

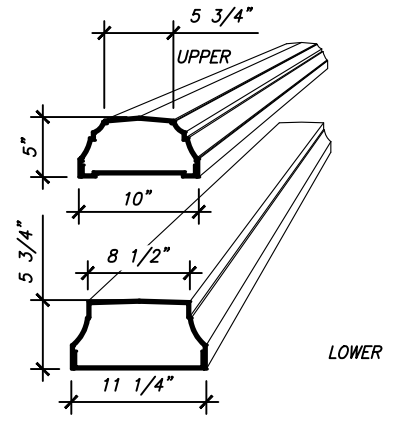
8300 BESSEMER AVE., CLEVELAND, OHIO 44127-1839  
 (216) 641-8300 - FAX:(216) 641-8150  
[www.fiberglass-afi.com](http://www.fiberglass-afi.com)



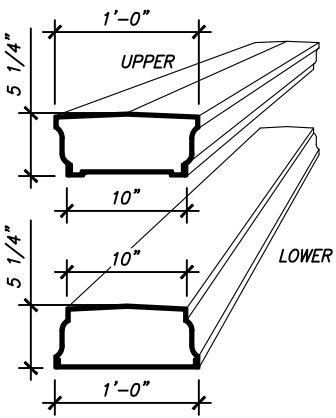
RT-110



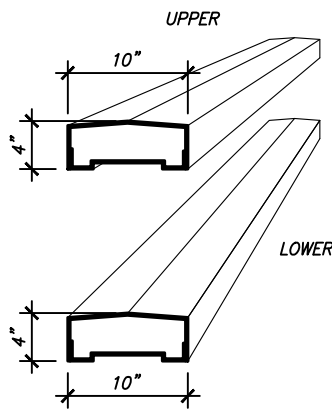
RT-120



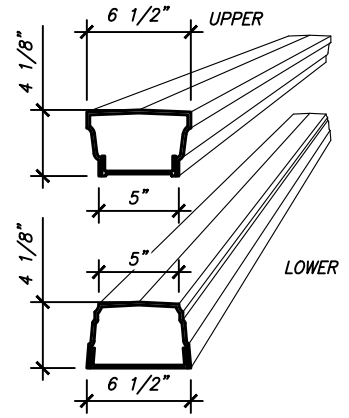
RT-130



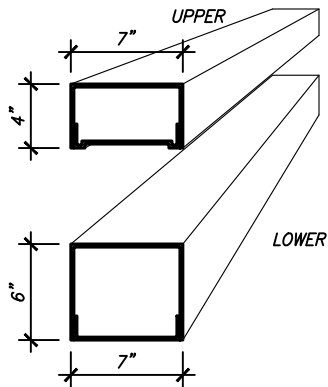
RT-140



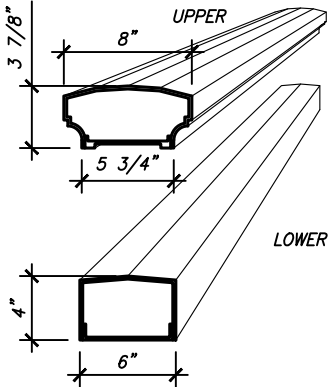
RT-150



RT-160



RT-170



RT-180

**NOTES:**

\* ALL RAIL LENGTHS ARE ADJUSTABLE (MAX 12' SECTIONS)

\* NOT ALL BALUSTERS, RAIL, AND NEWEL POSTS ARE COMPATIBLE WITH ONE ANOTHER

BALUSTRADES

RAILS

SHEET NO.

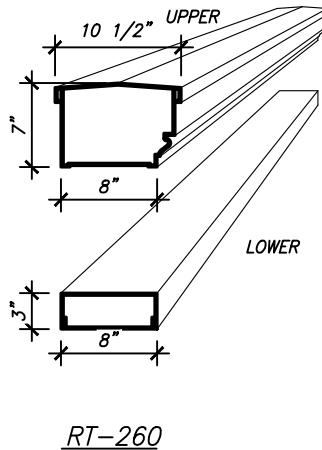
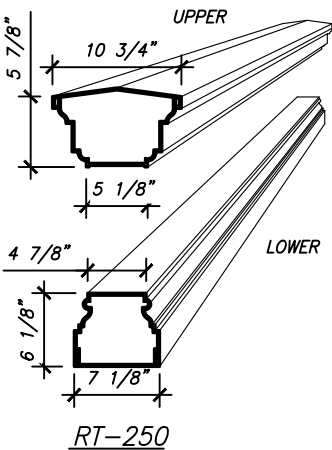
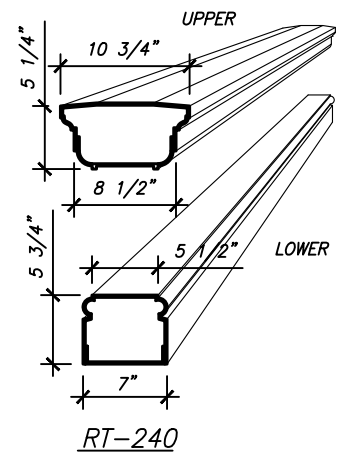
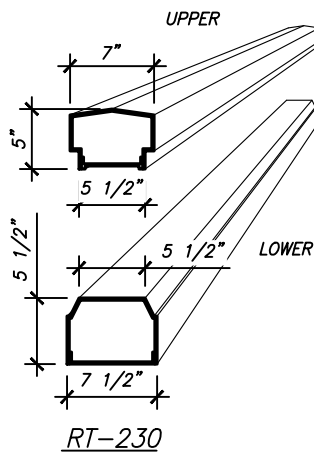
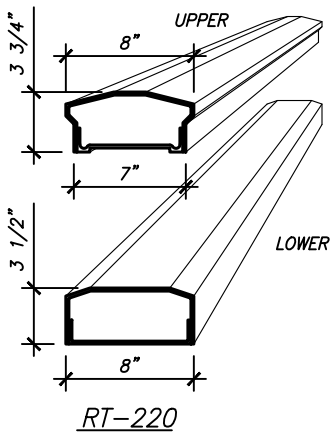
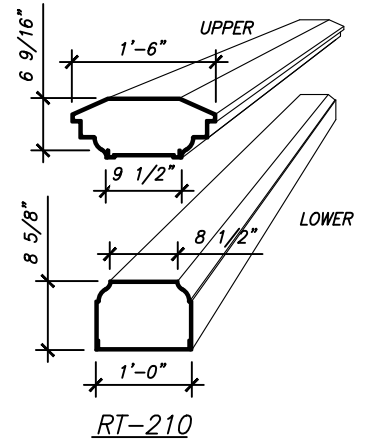
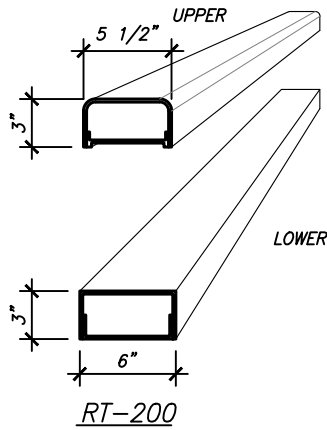
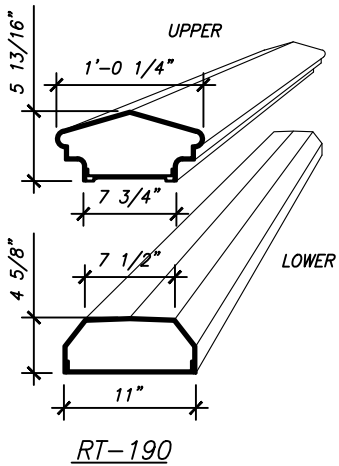
R-01

2025



**ARCHITECTURAL FIBERGLASS, INC.**

8300 BESSEMER AVE., CLEVELAND, OHIO 44127-1839  
 (216) 641-8300 - FAX:(216) 641-8150  
 www.fiberglass-afi.com



**NOTES:**

\* ALL RAIL LENGTHS ARE ADJUSTABLE (MAX 12' SECTIONS)

\* NOT ALL BALUSTERS, RAIL, AND NEWEL POSTS ARE COMPATIBLE WITH ONE ANOTHER

BALUSTRADES

RAILS

SHEET NO.

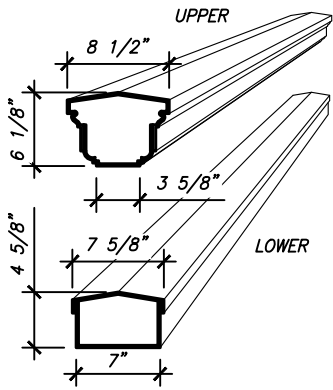
R-02

2025

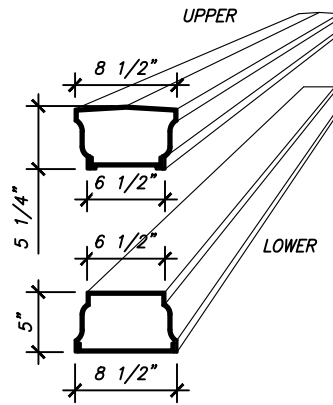


**ARCHITECTURAL FIBERGLASS, INC.**

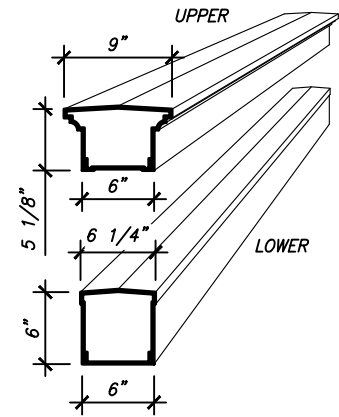
8300 BESSEMER AVE., CLEVELAND, OHIO 44127-1839  
 (216) 641-8300 - FAX:(216) 641-8150  
 www.fiberglass-afi.com



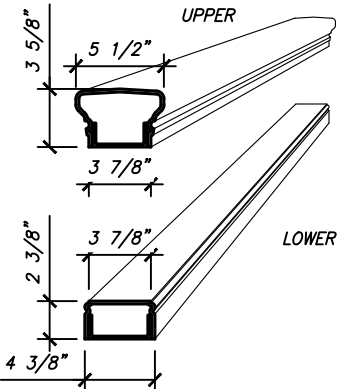
RT-270



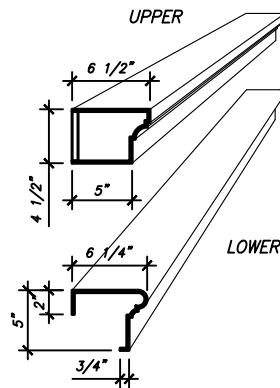
RT-280



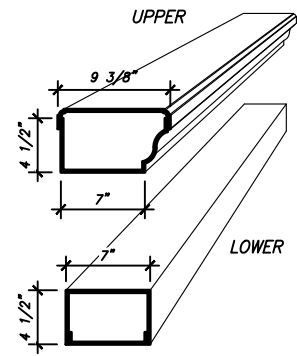
RT-290



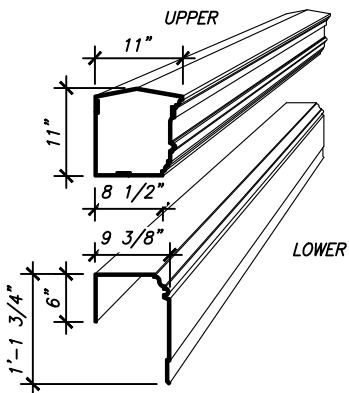
RT-300



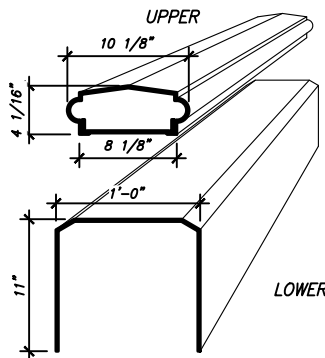
RT-310



RT-320



RT-330



RT-340

**NOTES:**

\* ALL RAIL LENGTHS ARE ADJUSTABLE (MAX 12' SECTIONS)

\* NOT ALL BALUSTERS, RAIL, AND NEWEL POSTS ARE COMPATIBLE WITH ONE ANOTHER

BALUSTRADES

RAILS

SHEET NO.

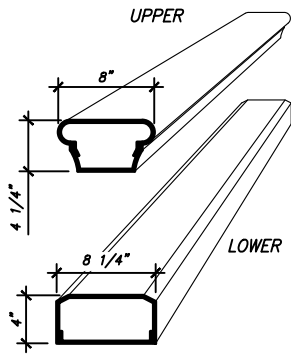
R-03

2025



ARCHITECTURAL FIBERGLASS, INC.

8300 BESSEMER AVE., CLEVELAND, OHIO 44127-1839  
 (216) 641-8300 - FAX:(216) 641-8150  
 www.fiberglass-afi.com



*RT-350*

NOTES:

\* ALL RAIL LENGTHS ARE ADJUSTABLE  
(MAX 12' SECTIONS)

\* NOT ALL BALUSTERS, RAIL, AND  
NEWEL POSTS ARE COMPATIBLE WITH  
ONE ANOTHER

BALUSTRADES

SHEET NO.

**R-04**

2025

RAILS

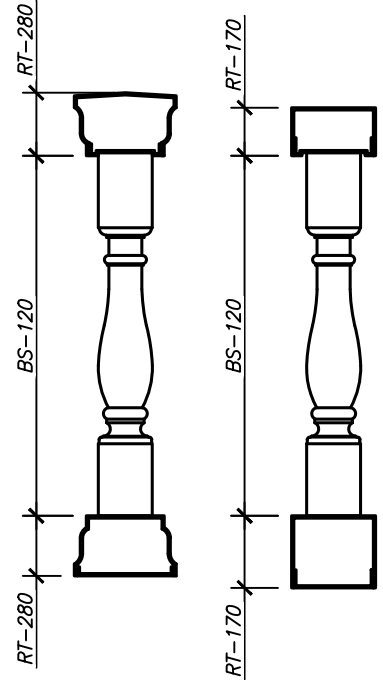
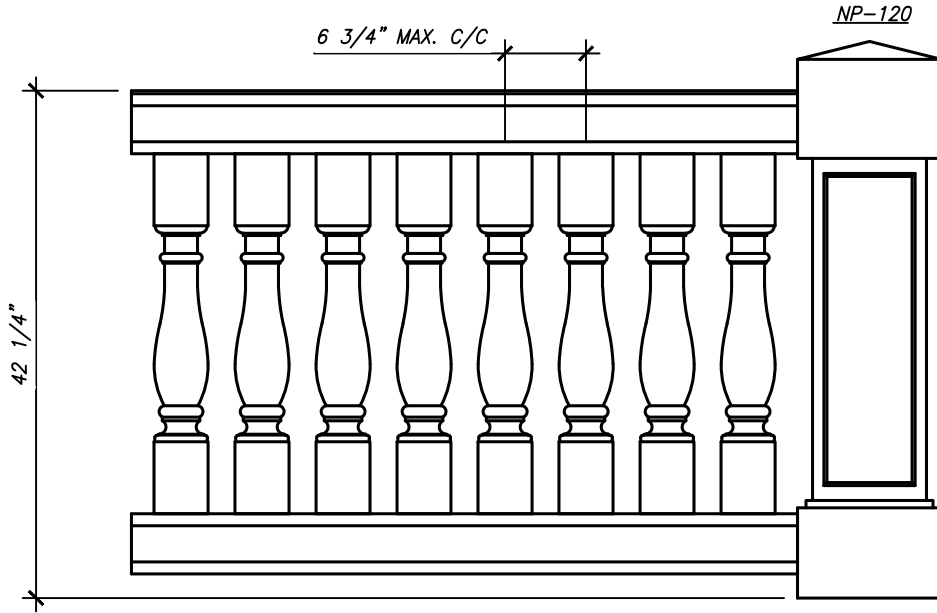


**ARCHITECTURAL FIBERGLASS, INC.**

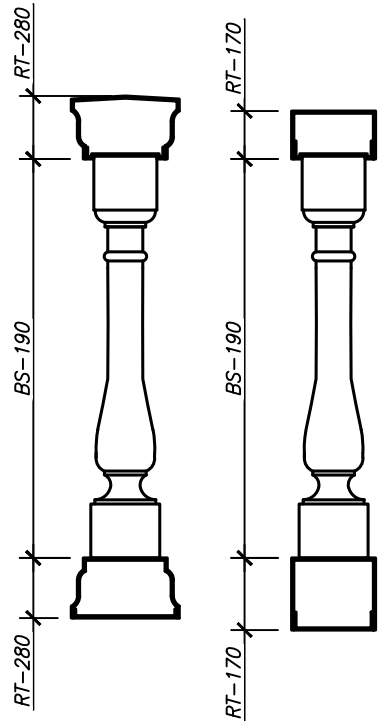
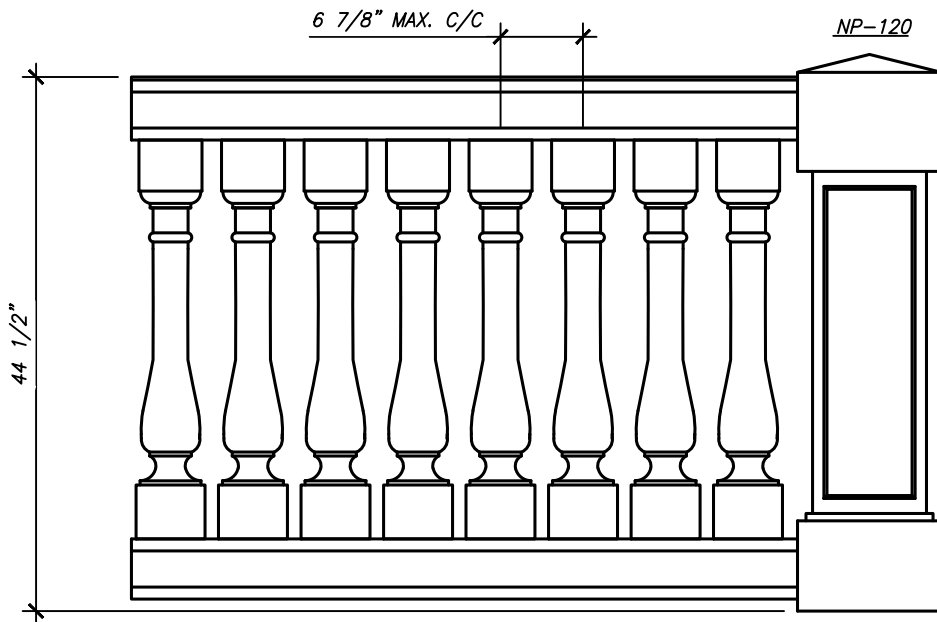
8300 BESSEMER AVE., CLEVELAND, OHIO 44127-1839  
(216) 641-8300 - FAX:(216) 641-8150  
[www.fiberglass-afi.com](http://www.fiberglass-afi.com)



CAN MEET COMMERCIAL AND RESIDENTIAL CODE



CAN MEET COMMERCIAL AND RESIDENTIAL CODE



BALUSTRADES

ASSEMBLIES

SHEET NO.

BA-01

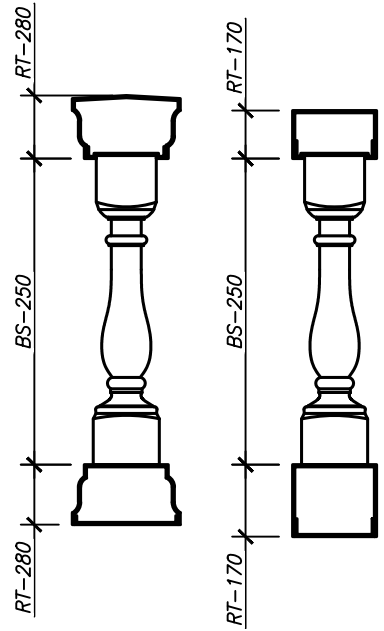
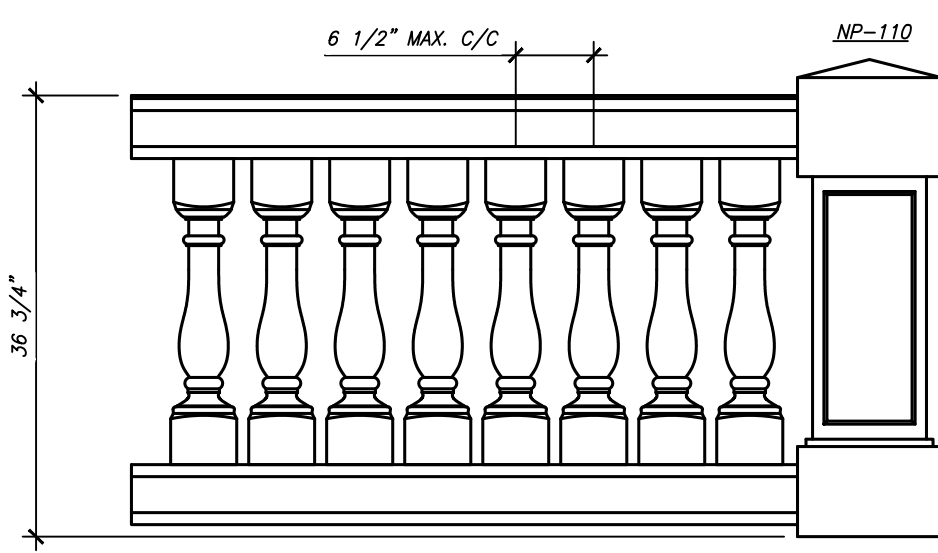
2025



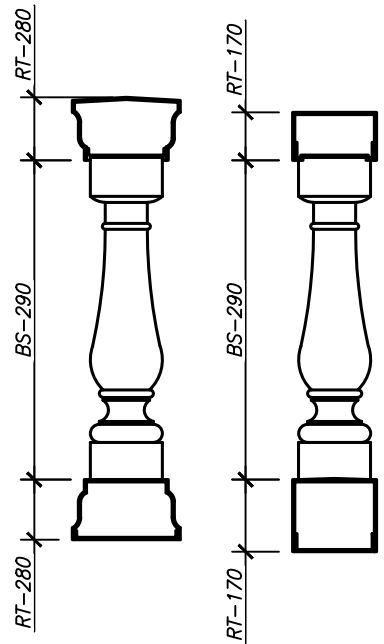
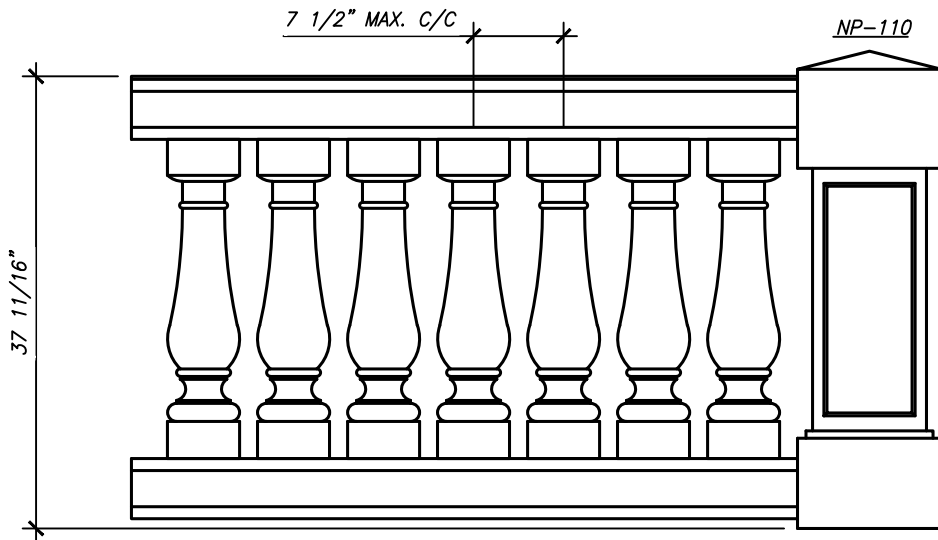
ARCHITECTURAL FIBERGLASS, INC.

8300 BESSEMER AVE., CLEVELAND, OHIO 44127-1839  
 (216) 641-8300 - FAX:(216) 641-8150  
 www.fiberglass-afi.com

CAN MEET RESIDENTIAL CODE



CAN MEET RESIDENTIAL CODE



BALUSTRADES

ASSEMBLIES

SHEET NO.

BA-02

2025



ARCHITECTURAL FIBERGLASS, INC.

8300 BESSEMER AVE., CLEVELAND, OHIO 44127-1839  
 (216) 641-8300 - FAX:(216) 641-8150  
 www.fiberglass-afi.com